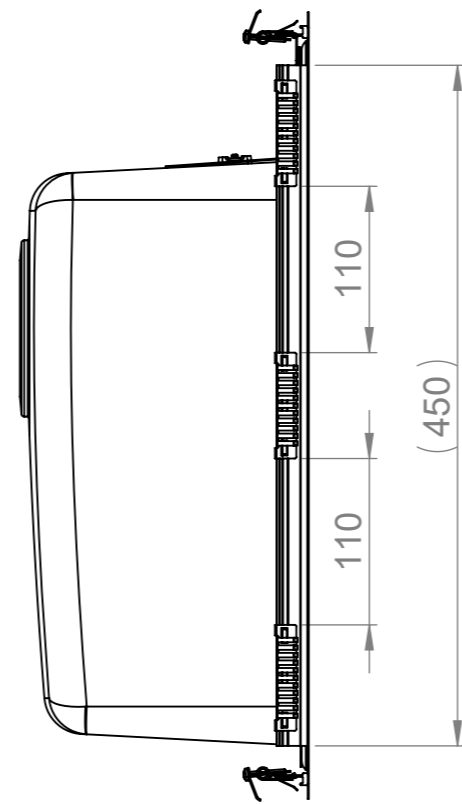
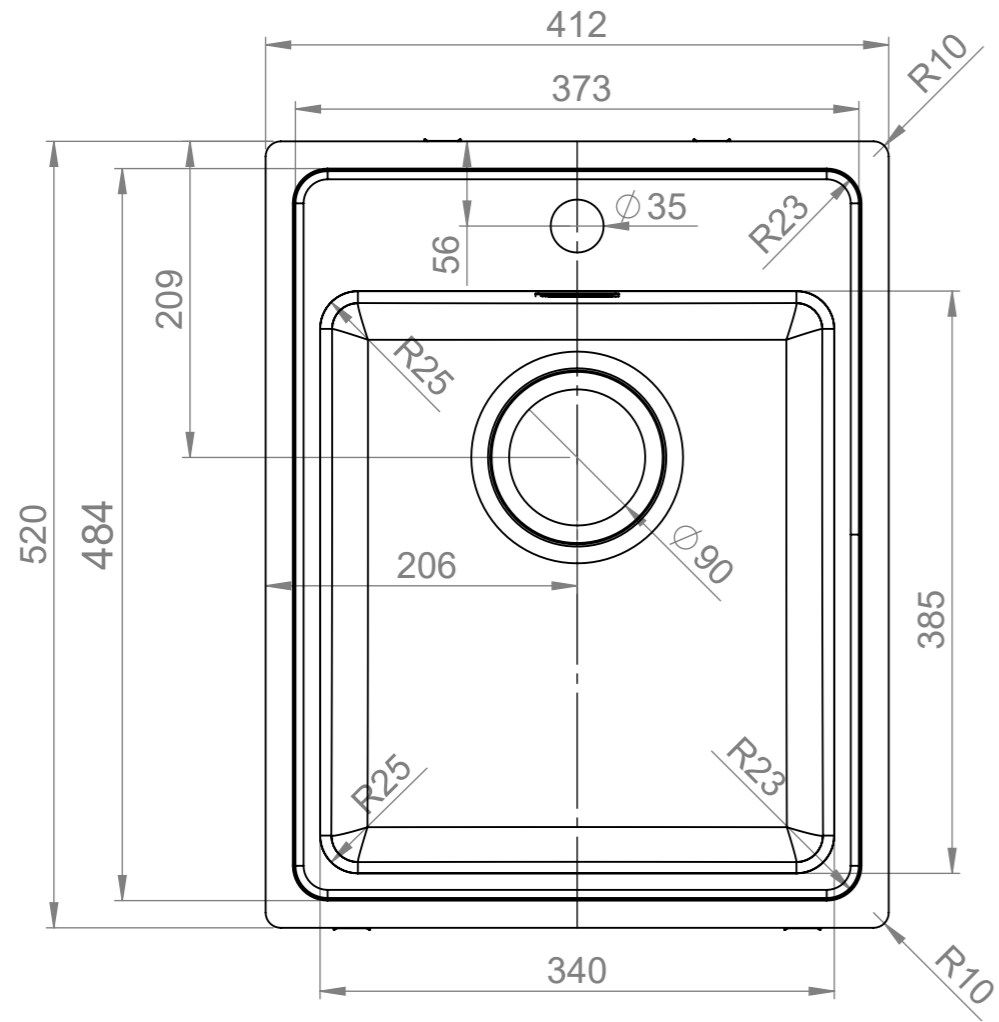
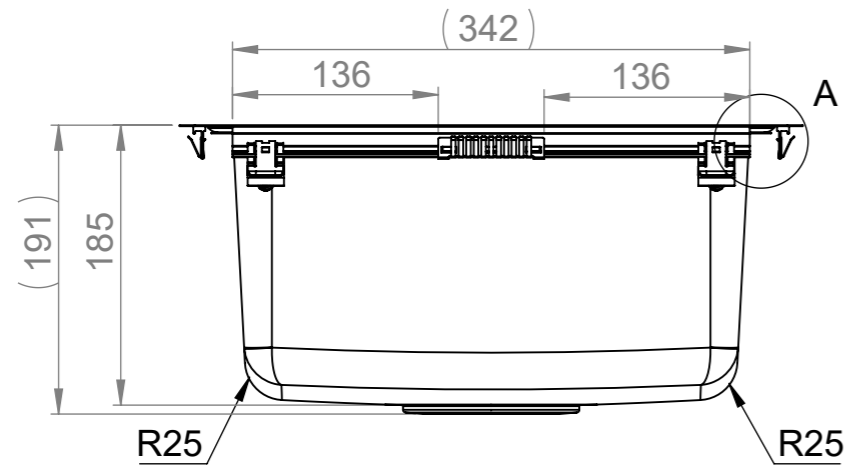
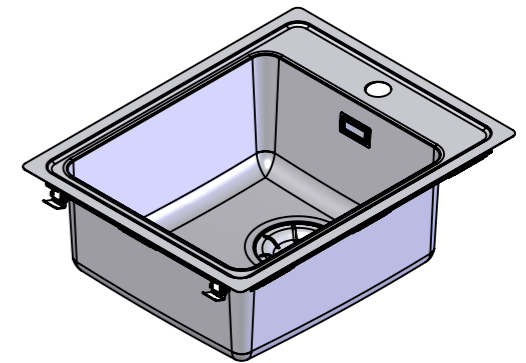
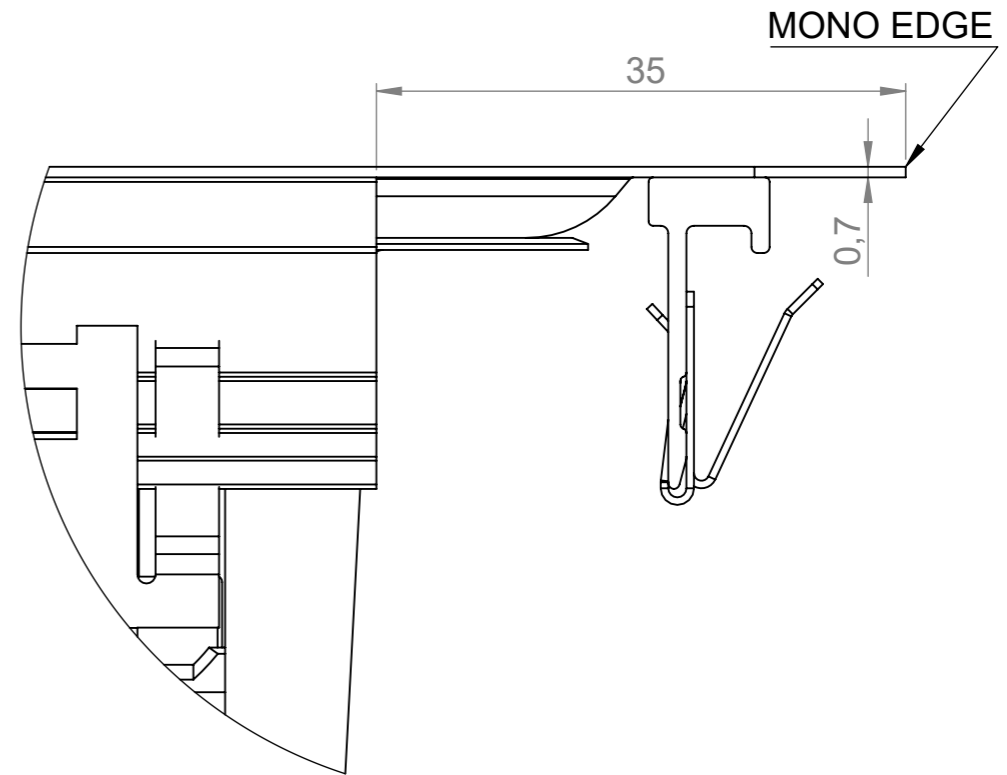


MAIN DIMENSIONS



DETAIL A
SCALE 2 : 1

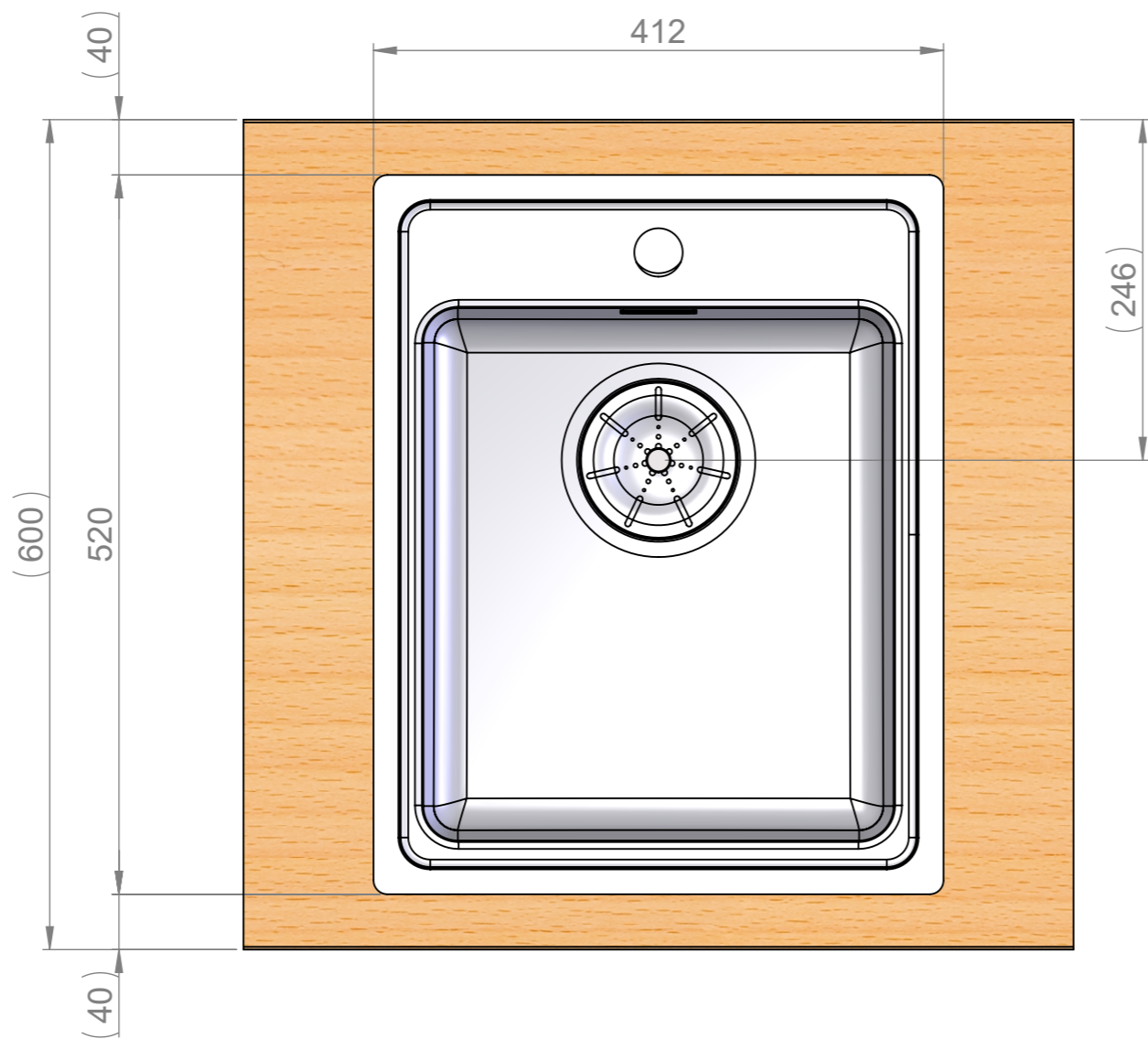


	Mass	kg	General tolerance	Designed by	Date
	Size	Scale	Item	PJ	02.03.2023
	A3	1:5	Description	Approved by	Date
	Member of ALVEUS	ONE-T34	Technical Data Sheet	VS	08.08.2023
				Drawing number	Sheet/sheets
				19599	1/6
					Rev
					A

Change description	Date	Designed by
--------------------	------	-------------

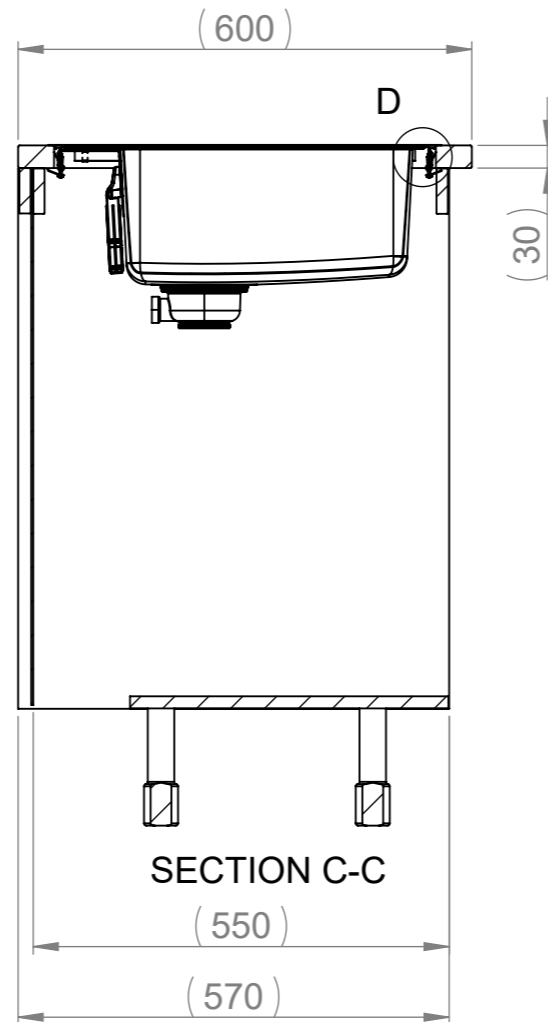
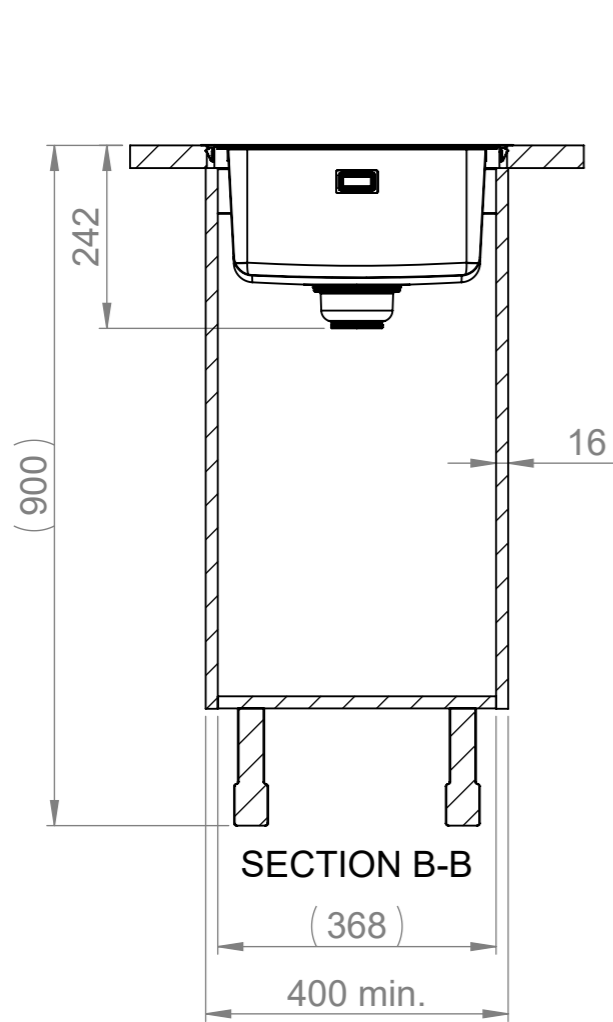
WORKTOP ASSEMBLY

Change description	Date	Designed by
--------------------	------	-------------

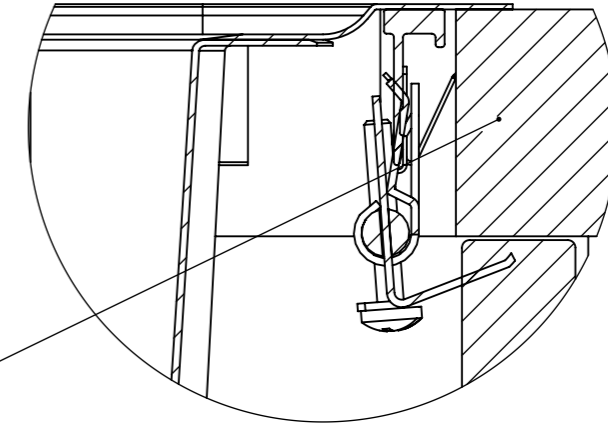


	Mass	kg	General tolerance	Designed by	Date
	Size	Scale	Item	VS	08.08.2023
 Member of ALVEUS	A3	1:10	Description	Drawing number	Sheet/sheets
			ONE-T34	19599	2/6
			Technical Data Sheet	Rev	A

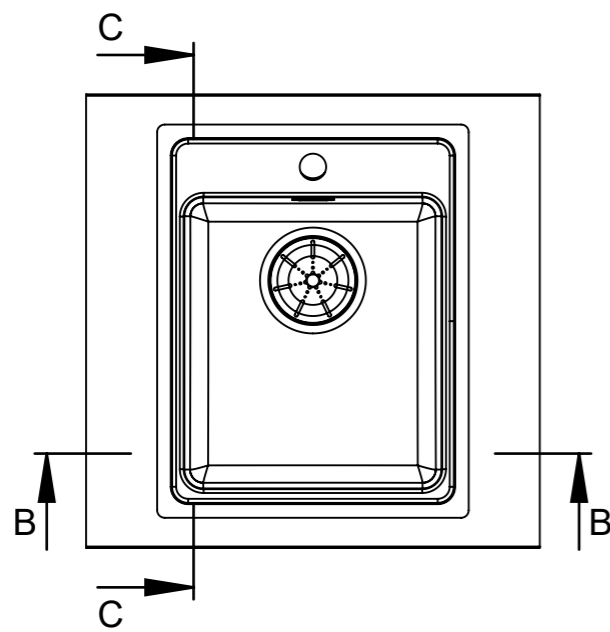
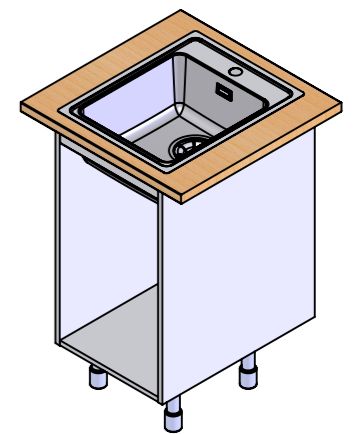
SPACE REQUIREMENTS




DETAIL D
SCALE 1 : 1

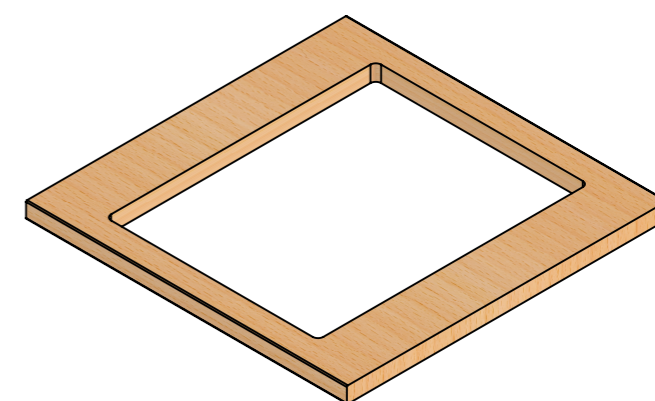
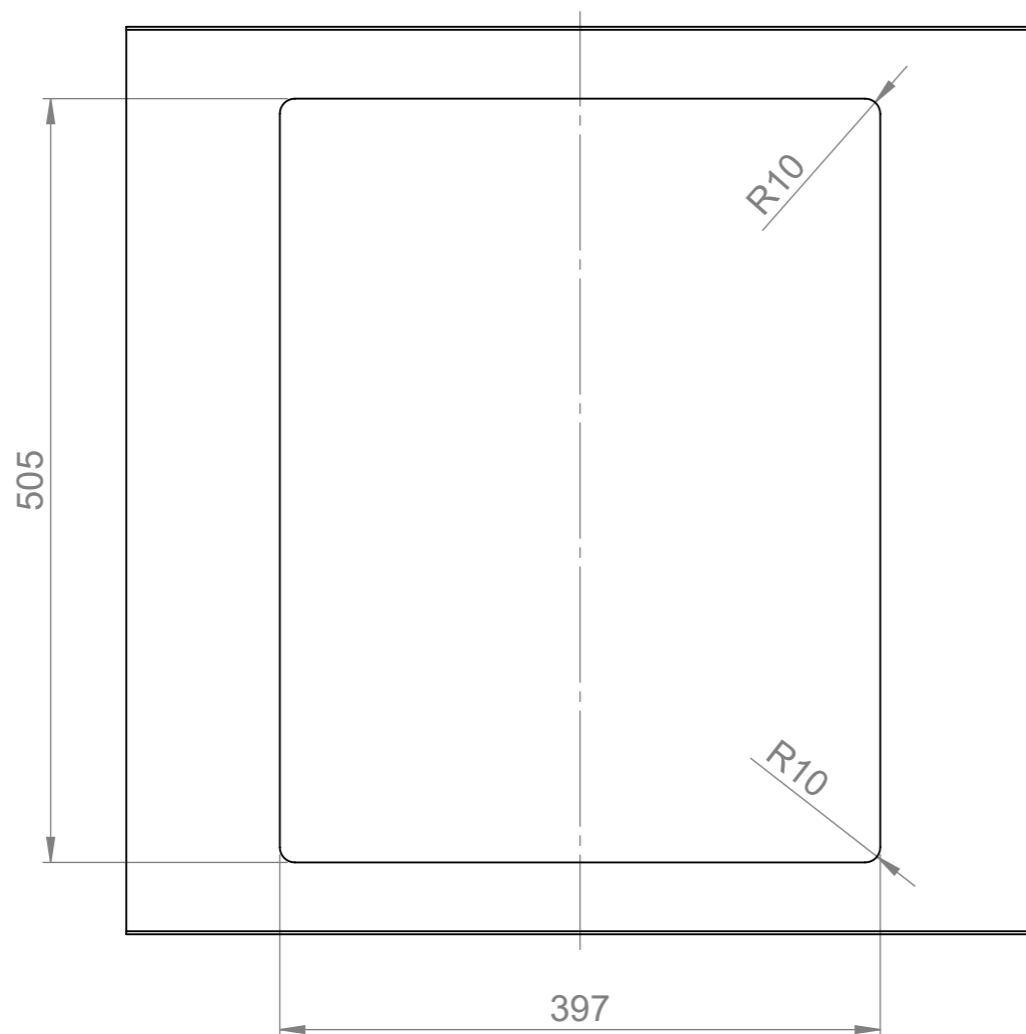


Huom!
Tarvittaessa kaapin väliseinää ja etu/takalistaa lovetettava kiinnikkeitä varten ja pesuallas on kiinnitettävä ennen työtason asennusta.
Obs!
Vid behov måste en inskärning för hofästena göras i skåpets mellanvägg och förbindningslist och diskbänken måste fästas innan du monterar bänkskivan.
Notice!
The partition walls and front/back list of the cupboard must be notched for the sink mountings when needed and the sink must be fastened before installing the worktop.



 Member of ALVEUS	Mass	kg	General tolerance	Designed by	Date
	Size	Scale	Item	PJ	02.03.2023
STALA Member of ALVEUS	A3	1:10	Description	Approved by	Date
			ONE-T34	VS	08.08.2023
			Technical Data Sheet	Drawing number	Sheet/sheets
			19599	3/6	Rev
				A	

CUT-OUT



Change description	Date	Designed by
--------------------	------	-------------

	Mass	kg	General tolerance	Designed by	Date
	Size	Scale	Item	PJ	02.03.2023
 Member of ALVEUS	A3	1:5	Description	Approved by	Date
			ONE-T34	VS	08.08.2023
			Technical Data Sheet	Drawing number	Sheet/sheets
			19599	4/6	Rev
				A	

